

Special Panel Meters

LED-Switch Position Indicator for Direct Voltage and Alternating Voltage 45...65 Hz

Front frame gloss black



ST 1-LED

Technical Data

Front Dimensions mm Type	25 x 25 STQ 1-LED	∅ 25 ST 1-LED
Weight approx. (kg)	0,07	0,07
Operating Voltage	300 V	300 V
Test Voltage	3,5 kV	3,5 kV
Front Housing - Panel Protection	IP 52	IP 52
Fasteners	round nut	round nut

Description

Switch position indicator for remote indication of contact positions at power plants and switching stations. Can also be used advantageously as an indicator in mimic diagrams.

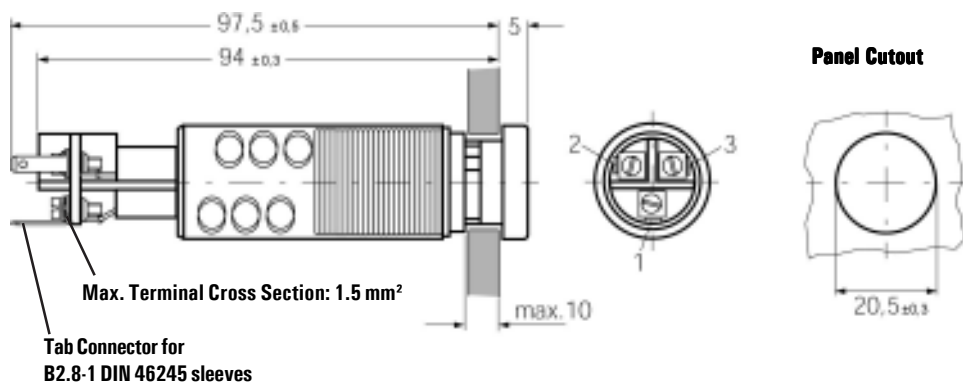
Front Panel Dimensions



Mechanical Design

Housing Material Polycarbonate
 Terminals tab connectors, 2.8 x 0.8
 Contact Protection available as option

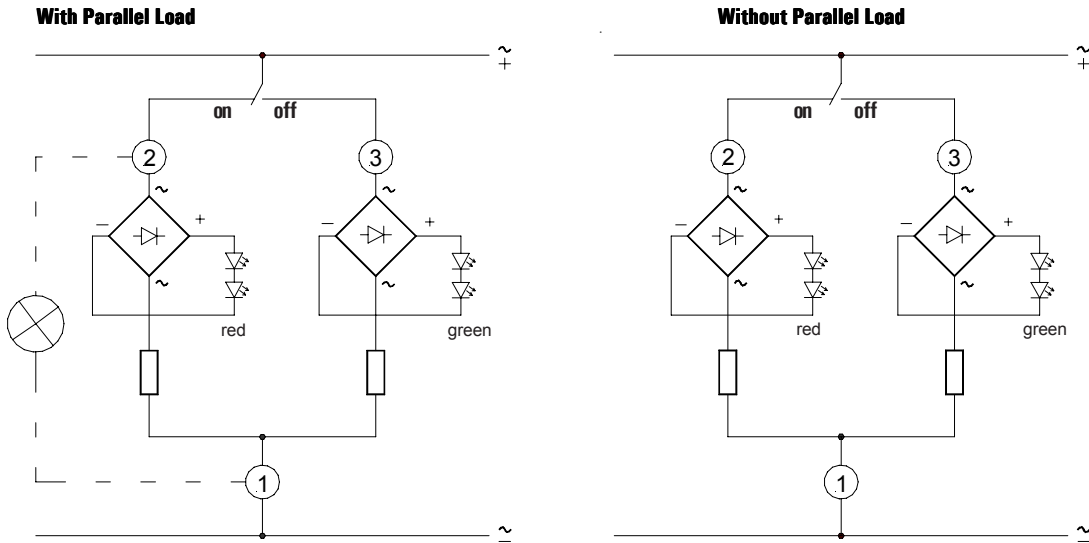
Basic Dimensions



Special Panel Meters

LED-Switch Position Indicator for Direct Voltage and Alternating Voltage 45...65 Hz

Schematic Diagrams for Direct- and Alternating Voltage



Type
Front Dimension mm

STQ 1-LED
25 x 25

ST 1-LED
Ø 25

1108 BC LED
Order No.

1280 BC LED
Order No.

Direct Voltage:

24 V AC/DC
48 V AC/DC
60 V AC/DC
110 V AC/DC
125 V AC/DC
220/230 V AC/DC

IL824
IL848
IL860
IL811
IL812
IL826

IL824
IL848
IL860
IL811
IL812
IL826

Movement Variants:

without parallel load (standard)
with parallel load

INH002
INH001

INH002
INH001

Front Plate:

black (standard)
white

NF099
NF001

NF099
NF001

Symbols:

cross symbol
interruption symbol
earthing symbol

RS099
RS001
RS002

RS099
RS001
RS002

LED - Colours:

LED red / green

PE099

PE099

Cross symbol only:

- LED yellow / yellow
- LED green / green
- LED red / red

PE001
PE002
PE003

PE001
PE002
PE003

other colours on request

Housing Variants:

standard
tropicalized
without contact protection (standard)
full contact protection

LB099
LB001
VB099
VB002

LB099
LB001
VB099
VB002