

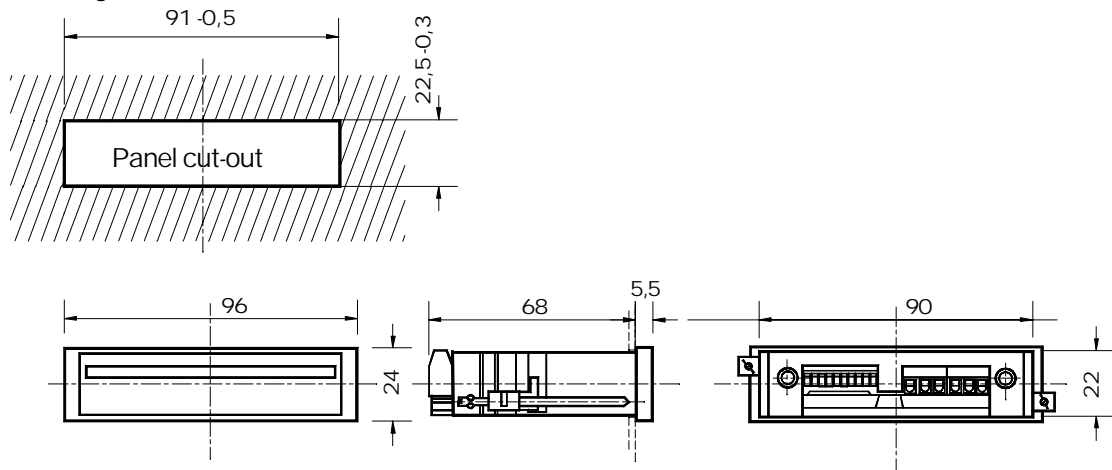
BARGRAPH DISPLAY LS - 40 Voltage / Current DC



Specification

Measuring ranges / Input resistance (Voltage)	150	mV	100	kOhm
	1	V	100	kOhm
	10	V	1	MOhm
	100	V	1	MOhm
	200	V	1	MOhm
Measuring range / Shunt voltage (Current)	20	mA	150	mV
	4 ... 20	mA	150	mV
Adjust measuring range	± 25 % for all ranges			
Measuring input	galvanic coupled for 5 V auxiliary Voltage			
Overload	Current	5 times		
	Voltage	10 times, max. 200 V		
Display, colour	41 LED 2 x 5 mm; red			
Dot- or bar-function	use DIP-switch			
99 % display time	< 100	ms		
Overload display	blinking LED			
Service temperature	0...25	°C		
Storage temperature	-20...+70	°C		
Accuracy	1	% (solution 2,5 %)		
Temperature coefficient	< 200	ppm/K		
Power supply	5	V DC ± 5 %	< 250	mA typ
	24	V DC (21 ... 27 V)	< 130	mA typ
Testing voltage (at 24 V device)	500	V between measuring input and power connections		
Connections	screw-type terminals			

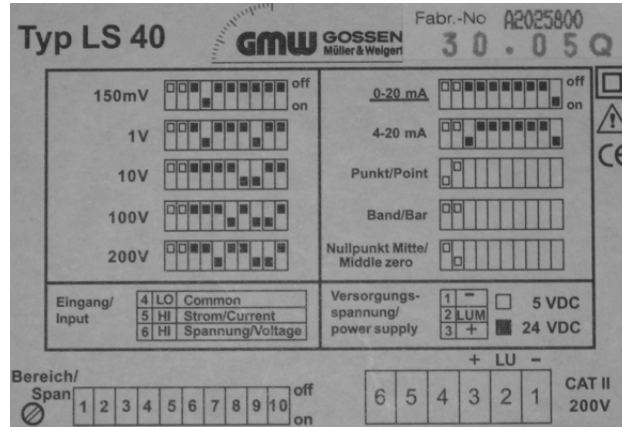
Dimension drawing



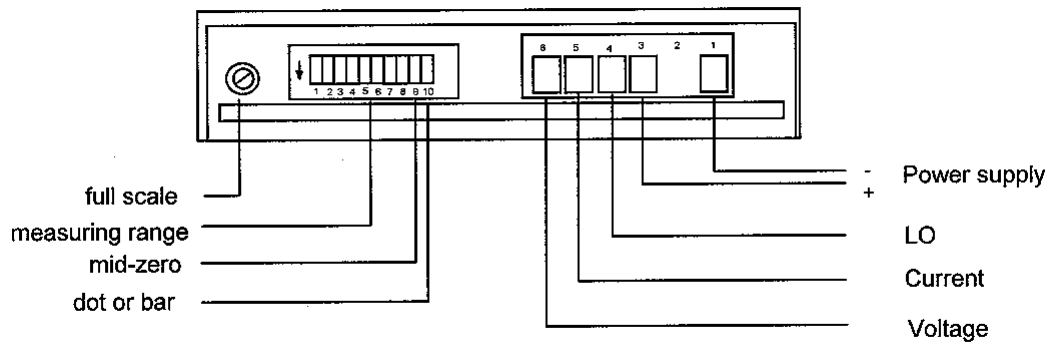
Front frame
 Panel cut out
 Mounting depth
 Weight
 Case

96 mm x 24 mm
 91 mm x 22,5 mm
 68 mm
 85 g typ. (5 V version); 100 g typ. (24 V version)
 ABS, black

Type-label



Connection



The right to make alterations remains reserved !

N32304



Metrix Electronics Ltd is the exclusive UK and Ireland agent for
 GMW, Germany.
 contact us at: sales@metrix-electronics.com