

## SWS-73

- ▣ meter in a small case
- ▣ no analog input
- ▣ two-coloured display (4-digits)
- ▣ RS-485 / Modbus RTU (SLAVE)

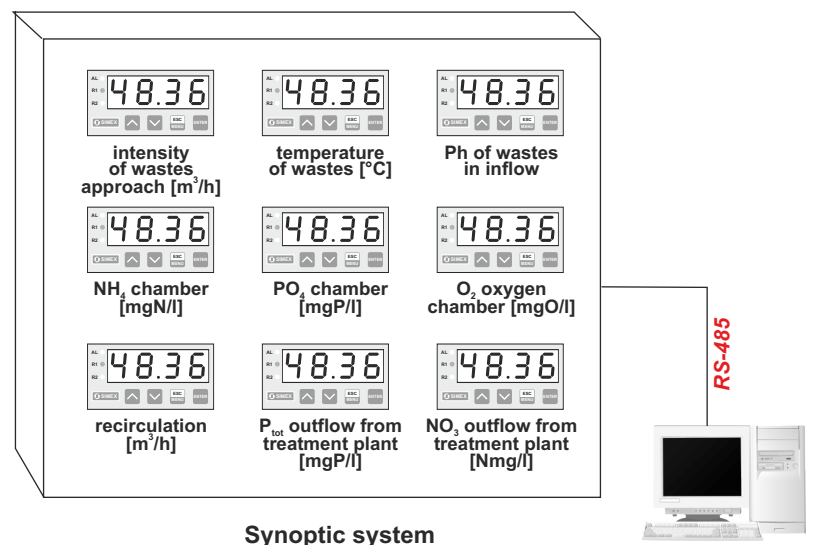


The **SWS-73** indicator is intended for displaying the measurement data sent from the master device over the RS-485 link (Modbus RTU protocol). The display brightness can be adjusted in 8 steps.

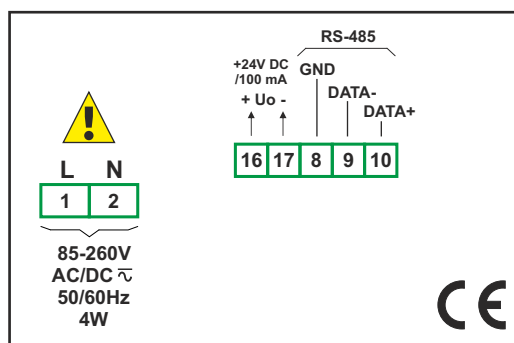
- two-coloured display for IP 40 version,
- password protected,
- display brightness adjustable in 8 steps,
- transmission speed adjustable: 1200 ÷ 115200 bit/sek.
- available with AC and DC power supply versions.

### Typical applications

1. Indication of current values of any parameters,
2. Application wherever there is a need for a quick view of many parameters, i.e. in a synoptic system.



### Exemplary pin assignment



### Technical data

**Power supply:** 19V ÷ 50V DC; 16V ÷ 35V AC or 85 ÷ 260V AC/DC, all separated  
**Power consumption:** for 85 ÷ 260V AC/DC and 16V ÷ 35V AC power supply: max. 4,5 VA; 19V ÷ 50V DC power supply: max. 4,5 W  
**Display:** LED, two-coloured (red-green), 4 x 13 mm (IP 40) - standard or LED, red, 6 x 9 mm (IP 65) - option + 3 LED diodes (red), with 8-step adjustment of brightness  
**Displayed values range:** 4 digits (-999 ÷ 9999 plus decimal point) or 6 digits (-99999 ÷ 999999 plus decimal point) or any of character indication in range of 7-segments display  
**Power supply output:** 24V DC +5%, -10% / max.100 mA, stabilized  
**Communication interface:** RS-485 (Modbus RTU - SLAVE), not galvanically insulated  
**Transmission speed:** adjustable in range from 1200 to 19200 bit/sek.  
**Transmission parameters:** 8N1 and 8N2  
**Operating temperature:** 0°C ÷ +50°C (standard), -20°C ÷ +50°C (option)  
**Storage temperature:** -10°C ÷ +70°C (standard), -20°C ÷ +70°C (with option 08)  
**Protection class (depending on display size):**  
 6 x 9 mm display: IP 65 (front), available additional frame IP 65 for panel cut-out sealing; IP 20 (case and connection clips)  
 4 x 13 mm display: IP 40 (front); IP 20 (case and connection clips)  
**Case:** board  
**Case material:** NORYL - GFN2SE1  
**Case dimensions:** 72 x 36 x 97 mm  
**Panel cut-out dimensions:** 66,5 x 32,5 mm  
**Installation depth:** min. 102 mm  
**Board thickness:** max. 5 mm

### Ordering

SWS-73-0000-1-X-XX1

**options:**

- 00 : no options
- 01 : IP 65 frame (display 6 x 9 mm)
- 08 : operating temp. -20°C ÷ +50°C

**power supply:**

- 3 : 24V AC/DC
- 4 : 85V - 260V AC/DC