

## Product data sheet

### mitex-TFT 4.3"

Interface	Ethernet	RS-232C	RS-422/485
	KEN1TF1-4KMU1065-000	KSI2TF1-4KMU1065-000	KSI8TF1-4KMU1065-000

#### Display

Active display area (h x v)	95 x 53,9 mm		
Resolution (pixel)	480 x 272 (5 – 27 lines displayable)		
Interface	Standard: IEEE802.3u, 10BASET/ 100BASE-TX, Connector: Modular jack (RJ-45) x 1	Asynchronous Transmission: RS-232C Data Length: 7 or 8 bits Stop Bit: 1 or 2 bits Parity: None, odd, or even Data Transmission Speed: 2,400(1,200)...115,200 bps Connector: 2-piece terminal block 9 pin x1	Asynchronous Transmission: RS-422/485 Data Length: 7 or 8 bits Stop Bit: 1 or 2 bits Parity: None, odd, or even Data Transmission Speed: 2,400(1,200)...115,200 bps, 187,500 bps Connector: 2-piece terminal block 9 pin x1
USB (Type A) Interface	Connector: USB 2.0 (Type A) x 1, Power Supply Voltage: 5 Vdc ±5%, Maximum Current Supplied: 500 mA/port, Maximum Transmission Distance: Less than 3 m (9.84 ft)		
USB (mini-B) Interface	Connector: USB 2.0 (mini-B) x 1, Maximum Transmission Distance: Less than 3 m (9.84 ft)		
Colours	8; black, blue, green, light blue, red, purple, yellow, white		
Hintergrundbeleuchtung	LED white (>50.000 hours continuous operation at 25° C [77 ° F] before the brightness of the backlight decreases to 50%)		
Brightness control	8 steps adjustable		

#### Environmental conditions

IP protection (front panel)	IP 65
Operating temperature	0° C to + 50° C
Storage temperature	-20° C to +60° C
Humidity	10% to 90% (not condensing)



#### Power supply

Current consumption	max. 8,1 W	max. 7,5 W	max. 7.7 W
Operating voltage	10,2 ... 28,8 VDC		

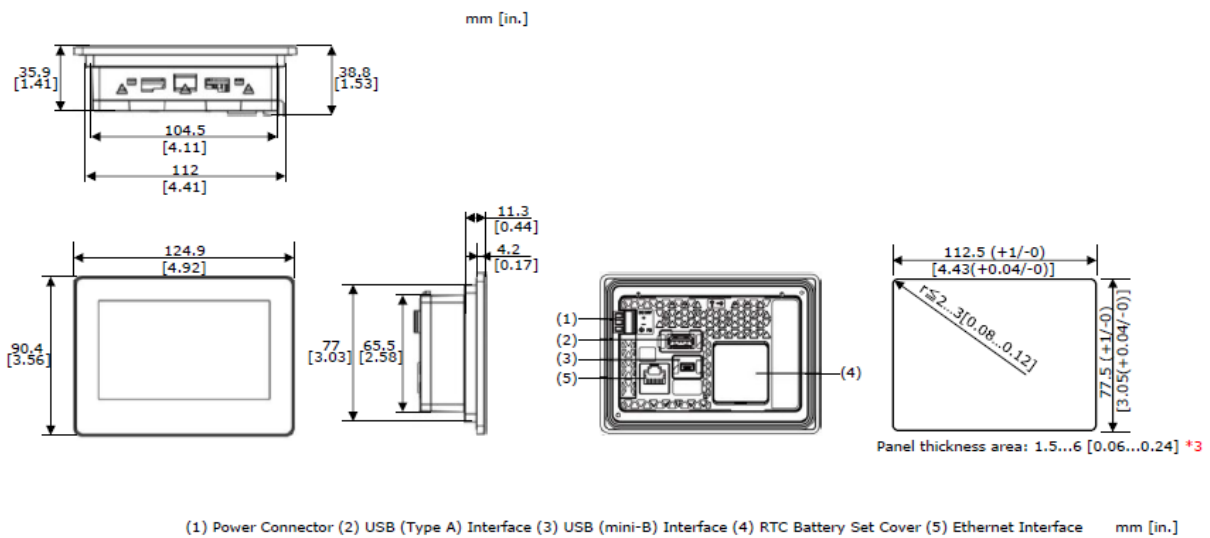
**Housing and weight**

W x H x D	90,4 x 124,9 x 38,8 mm
Weight	0,22 kg

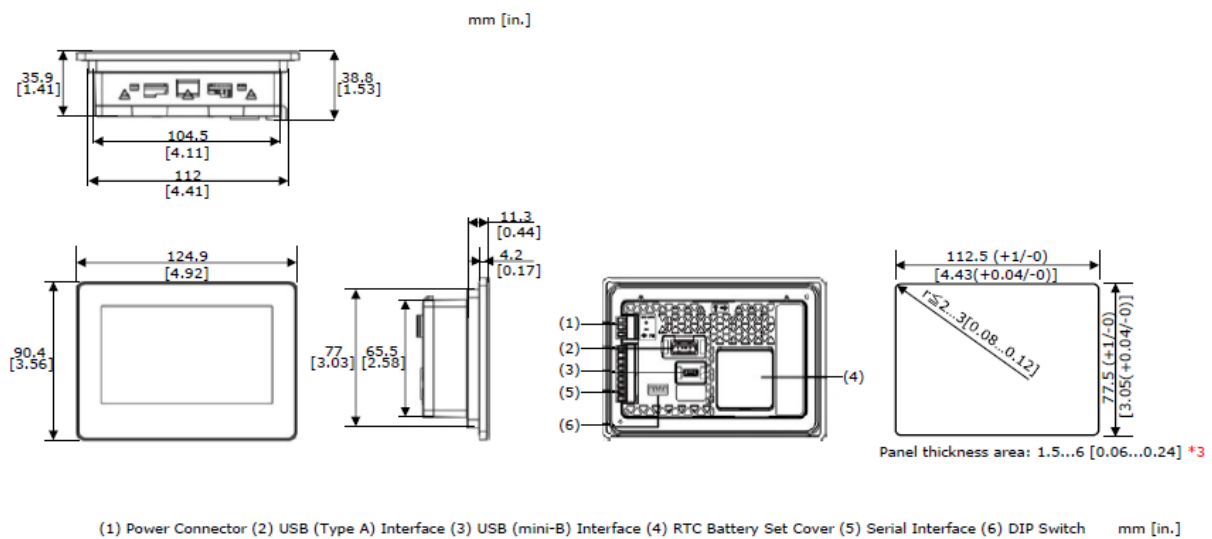
**Approvals**

Mechanics	IEC/EN 61131-2
Electricity	IEC/EN 61000-4-2 Level 3
International standards	      <b>UL61010</b>

Ethernet model



Serial model



\*3 Even if the installation wall thickness is within the recommended range for the "Panel Cut Dimensions", depending on wall's material, size, and installation location of this product and other devices, the installation wall could warp. To prevent warping, the installation surface may need to be strengthened.

